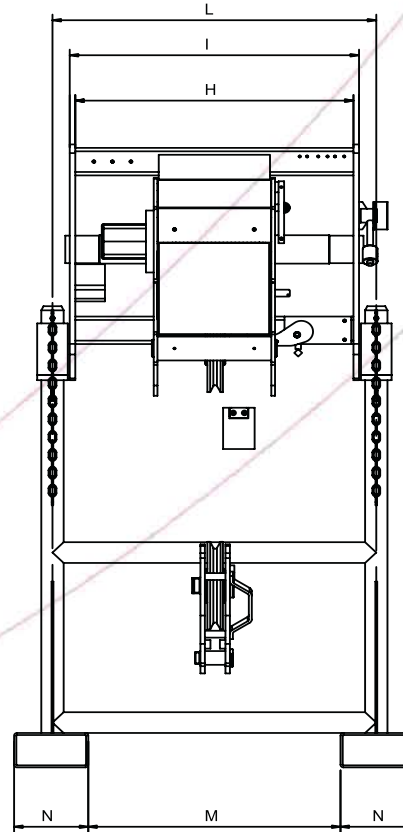
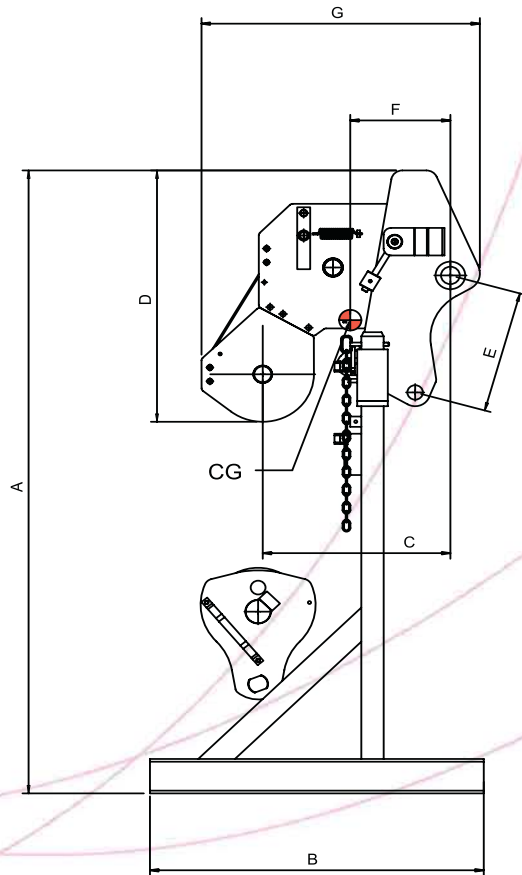


WINCH 3 TON



Description:
3 t hydraulic winch

Specifications:

- Line pull (3rdlayer): **3000 kg.**
- Maximum speed (3rdlayer): **23 m/min**
- Double** line pull
- 49 m long and 10 mm diameter cable arranged in three layers.
- Sauer-Danfoss OMSU orbital motor
- Planetary reduction gear featuring negative disk brake and oil bath
- The threaded drum is equipped with a cable-pressing roller to ensure the cable is always wound correctly
- Presence of a cable guide which further improves cable winding on the drum
- ISO 4301/1 classification: **T4,L2,M4**

Safety features:

- Positive hydraulic descent limit stop
- Positive hydraulic ascent limit stop

CHARACTERISTICS

DESCRIPTION	LOAD LIMIT	OVERALL LENGTH											WEIGHT	
		A	B	C	D	E	F	G	H	I	L	M		N
WINCH 3T	3000 KG	1810	900	506	730	353	270	750	750	780	873	680	200	400 KG